

# Accessories

## Encoder mounting attachments      Fixing components for shaft encoders      Details

### Dimensions / Details

**Flange, ø 115 mm, Euroflange (Euro REO 444)**

*Scope of delivery:*  
 - flange (aluminium)  
 - 3 screws for encoder mounting

*Connection to application:*  
 - 6 screws (not supplied)

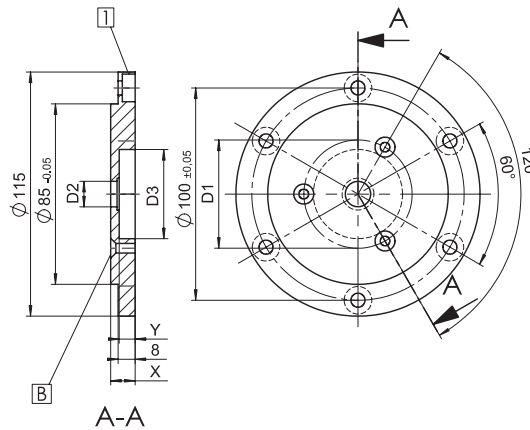
encoder type	D1	D2	D3	X	Y	B
580X/5000	48	36	58	11	1	DIN 74-BM3
70XX	51	12	42	11.5	7.5	DIN 74-BM4

*Order-No.*

**8.0010.2160.0000**

**8.0010.2170.0000**

- 1** countersunk DIN 74-Hm6
- B** see table

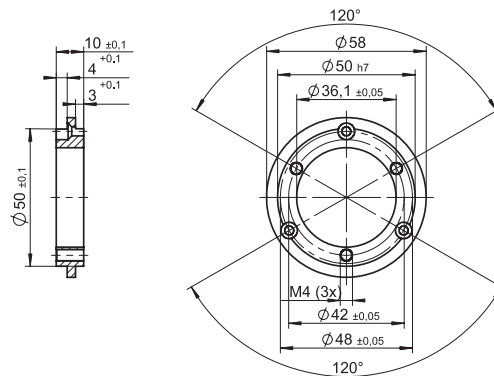


**Flange, ø 58 mm**

Converts encoders with a clamping flange into synchro flange.

*Scope of delivery:*  
 - flange (aluminium)  
 - 3 screws for encoder mounting

*Connection to application:*  
 - 3 screws (not supplied)



*Order-No.*

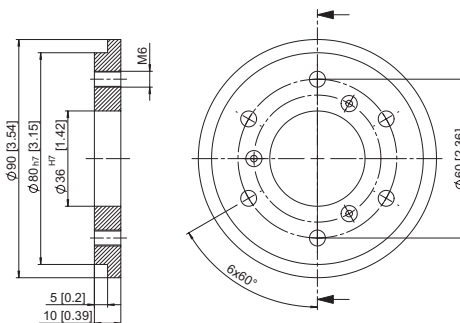
**8.0010.2180.0000**

**Flange, ø 90 mm**

Mechanically compatible with former encoder Type 9000

*Scope of delivery:*  
 - flange  
 - 3 screws for encoder mounting

*Connection to application:*  
 - 6 screws (not supplied)



*Order-No.*

**8.0010.2270.0000**