

# Incremental Encoders

<b>Large hollow shaft, optical</b>	<b>A02H (Hollow shaft) / Heavy Duty</b>	<b>Push-Pull / RS422 / SinCos</b>
------------------------------------	---	-----------------------------------



The Heavy Duty incremental encoder type A02H boasts a high degree of ruggedness in a very compact design.

Its special construction makes it perfect for all applications in very harsh environments.



High rotational speed	High protection level	High shaft load capacity	Shock / vibration resistant	Magnetic field proof	Optical sensor

### Heavy Duty - Robust

- Special shaft connection with interlocked bearings
- Balanced stainless-steel clamping ring
- Optional isolation inserts available to protect against shaft currents

### Compact and versatile

- Only 49 mm installation depth
- With cable connections, M23 or M12 connectors
- With Push-Pull, RS422 or SinCos interface

### Order code Hollow shaft version

<b>8.A02H</b>	<b>.XXXXX</b>	<b>.XXXX</b>
Type	a b c d	e

#### a Flange

- 1 = without mounting aid
- 2 = with short spring element
- 3 = with long spring element
- 5 = with fastening arm long

#### b Hollow shaft

- 1 = ø 42 mm
- 2 = ø 38 mm
- 3 = ø 28 mm
- 4 = ø 25.4 mm (1")
- 5 = ø 25 mm
- 6 = ø 24 mm
- 7 = ø 32 mm
- A = ø 30 mm
- B = ø 40 mm
- C = ø 20 mm
- H = ø 35 mm
- M = ø 19 mm

#### c Output circuit / Power supply

- 1 = RS422 (with inverted signal) / 5 V DC
- 2 = Push-pull (without inverted signal) / 10 ... 30 V DC
- 3 = Push-pull (with inverted signal) / 10 ... 30 V DC
- 4 = RS422 (with inverted signal) / 10 ... 30 V DC
- 5 = Push-pull (with inverted signal) / 5 ... 30 V DC
- 8 = SinCos, 1 Vss (with inverted signal) / 5 V DC
- 9 = SinCos, 1 Vss (with inverted signal) / 10 .. 30 V DC
- A = Push-pull 7272 compatible / 5 ... 30 V DC

#### d Type of connection

- 1 = radial cable (1 m PVC cable)
- 2 = M23 connector, 12-pin, radial, without mating connector
- E = M12 connector, 8-pin, radial

#### e Pulse rate

- 50, 360, 512, 600, 1000, 1024, 1500, 2000, 2048, 2500, 4096, 5000
- (e.g. 360 pulses => 0360)
- Other pulse rates on request

SinCos version not available with pulses <1024

optional on request  
- Ex 2/22  
- special cable length

# Incremental Encoders

Large hollow shaft, optical

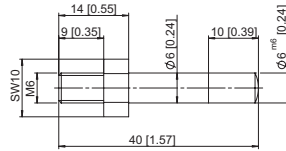
A02H (Hollow shaft) / Heavy Duty

Push-Pull / RS422 / SinCos

## Mounting accessory for hollow shaft encoders

### Cylindrical pin long

for torque stops



With fixing thread

8.0010.4700.0003

### Tether arm large, flexible



Length L

70 mm

100 mm

150 mm

L1

70 [2.76]

100 [3.94]

150 [5.91]

L2

88 [3.46]

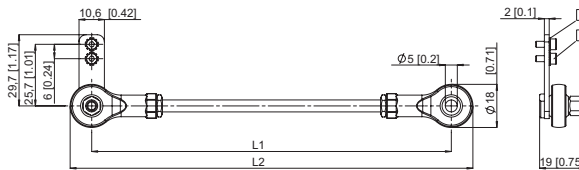
118 [4.65]

168 [6.61]

8.0010.40S0.0000

8.0010.40T0.0000

8.0010.40U0.0000



1 Socket screw M2.5 x 6

2 Lock washer

### Fastening arm, short



8.0010.4T00.0000

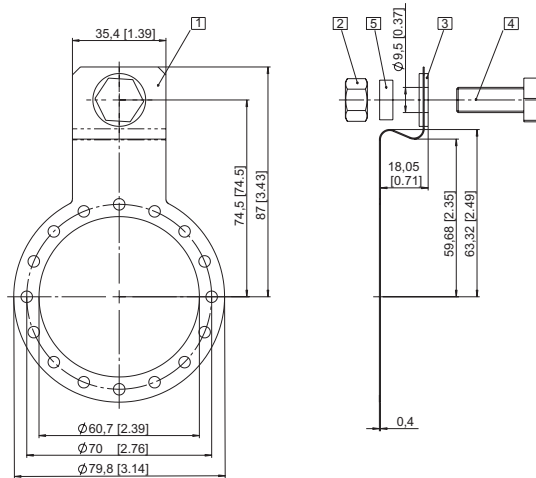
1 Curved spring element

2 Hexagonal nut 3/8 - 16 UNC

3 Washer (isolating)

4 Hexagonal screw 3/8 16 UNC x 1"

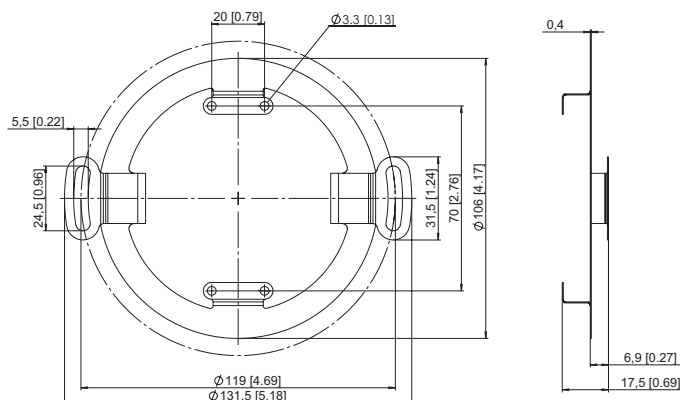
5 Washer D10.4 x 15 x 15



### Stator coupling



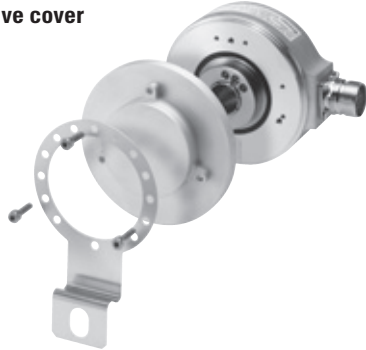
8.0010.40V0.0000



# Incremental Encoders

**Large hollow shaft, optical**      **A02H (Hollow shaft) / Heavy Duty**      **Push-Pull / RS422 / SinCos**

**Protective cover**



For applications with a very high degree of pollution, Kübler now offers a protective cover for

- Improved reliability
- Extension of the service life of the encoder

**8.0010.40Y0.0001**

Scope of delivery:

- Protective cover
- Fastening arm (8.0010.4T00.0000)
- 3 screws for fixing to the encoder

Incremental Encoders

**Tapered shaft mounting kit**  
for A02H with hollow shaft  $\varnothing$  38 mm



For use in upgrading for tapered shaft mounting. Tapered shafts are used for high-precision direct coupling. An isolation insert is also included in the mounting kit; this reliably protects the encoder from shaft currents.

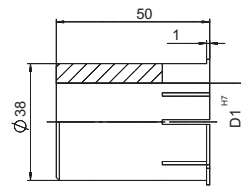
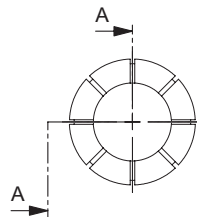
Included in the set:

- Insert for cone blind hole, cone 1:10, 17 mm length
- Isolation insert
- Allen screw for central fixing

**8.0010.4028.0000**

**Mounting accessory for hollow shaft encoders**

**Isolation insert for hollow shaft  $\varnothing$  38 mm**  
(Temperature range -40 ... +115°C)



$\varnothing$ D1:
12 mm
12.7 mm (1/2")
14 mm
15.875 mm
16 mm
18 mm
19.05 mm (3/4")
20 mm
25 mm
25.4 mm
31.75 mm (1 1/4")

Order-no:
<b>8.0010.4091.0000</b>
<b>8.0010.4013.0000</b>
<b>8.0010.4027.0000</b>
<b>8.0010.4070.0000</b>
<b>8.0010.4019.0000</b>
<b>8.0010.4080.0000</b>
<b>8.0010.4090.0000</b>
<b>8.0010.4011.0000</b>
<b>8.0010.4012.0000</b>
<b>8.0010.4050.0000</b>
<b>8.0010.4060.0000</b>

Isolation inserts prevent currents from passing through the encoder bearings. These currents can occur when using inverter controlled three-phase or AC motor and considerably shorten the service life of the encoder bearings. For more details please call our Technical Hotline (+49 7720 3903 92) or send us an email (info@kuebler.com)

**Isolation insert for hollow shaft  $\varnothing$  42 mm**

External diameter 42 mm / Internal diameter 38 mm

**8.0010.4017.0000**

**Connection Technology**

**Connector, self-assembly**

M12	<b>05.CMB-8181-0</b>
M23	<b>8.0000.5012.0000</b>

**Cordset, pre-assembled with 2 m PVC cable**

M12	<b>05.00.6041.8211.002M</b>
M23	<b>8.0000.6201.0002</b>

Further accessories can be found in the Accessories section or in the Accessories area of our website at: [www.kuebler.com/accessories](http://www.kuebler.com/accessories). Additional connectors can be found in the Connection Technology section or in the Connection Technology area of our website at: [www.kuebler.com/connection\\_technology](http://www.kuebler.com/connection_technology).

# Incremental Encoders

## Large hollow shaft, optical      A02H (Hollow shaft) / Heavy Duty      Push-Pull / RS422 / SinCos

Mechanical characteristics		
Speed	at 70°C at 80°C	max. 6000 min <sup>-1</sup> 1) max. 3500 min <sup>-1</sup> 1)
Rotor moment of inertia		< 220 x 10 <sup>-6</sup> kgm <sup>2</sup> 2)
Starting torque with sealing		< 0.2 Nm
Weight		approx. 0.8 kg
Protection acc. to EN 60 529		IP65
EX approval for hazardous areas		optional Zone 2 and 22
Working temperature range		-40°C 3) ... +80°C
Materials	shaft	stainless steel, bore tolerance H7
Shock resistance acc. EN 60068-2-27		1000 m/s <sup>2</sup> , 6 ms
Vibration resistance acc. EN 60068-2-6		100 m/s <sup>2</sup> , 10...2000 Hz

Electrical characteristics SinCos output		
Output circuit	SinCos U = 1 Vss	SinCos U = 1 Vss
Power supply	5 V ±5%	10 ... 30 V DC
Power consumption with inverted signal (no load)	typ. 65 mA/max. 110 mA	typ. 65 mA/max. 110 mA
-3 dB frequency	< 180 kHz	< 180 kHz
Signal level		
channels A/B	1 Vss (±20%)	1 Vss (±20 %)
channel 0:	0.1 ... 1.2 V	0.1 ... 1.2 V
Short circuit proof outputs 4)	yes	yes
Reverse polarity protection of the power supply	no	yes
UL approval	File 224618	
CE compliant acc. to	EN 61 000-6-2, EN 61 000-6-4 and EN 61 000-6-3	
RoHS compliant acc. to	EU guideline 2002/95/EG	

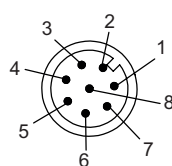
Electrical characteristics				
Output circuit		RS422 (TTL compatible)	Push-Pull	Push-Pull (7272 compatible)
Power supply		5 V (±5 %) o. 10 ... 30 V DC	10 ... 30 V DC	5 ... 30 V DC
Power consumption (no load)				
without inverted signal		–	typ. 55 mA/max. 125 mA	–
with inverted signal		typ. 40 mA/max. 90 mA	typ. 80 mA/max. 150 mA	typ. 50 mA/max. 100 mA
Permissible load / channel		max. ±20 mA	max. ±30 mA	max. ±20 mA
Pulse frequency		max. 300 kHz	max. 300 kHz	max. 300 kHz 5)
Signal level	high low	min. 2.5 V max. 0.5 V	min. U <sub>B</sub> – 3 V max. 2.5 V	min. U <sub>B</sub> – 2.0 V max. 0.5 V
Rising edge time t <sub>r</sub>		max. 200 ns	max. 1 µs	max. 1 µs
Falling edge time t <sub>f</sub>		max. 200 ns	max. 1 µs	max. 1 µs
Short circuit proof outputs 4)		yes	yes	yes
Reverse polarity protection of the power supply		no, 10 ... 30 V: yes	yes	no
UL approval		File 224618		
CE compliant acc. to		EN 61000-6-2, EN 61000-6-4 and EN 61000-6-3		
CE compliant acc. to		EU guideline 2002/95/EG		

### Terminal assignment

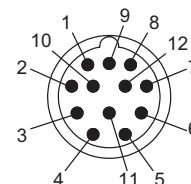
Output circuit	Type of connection	Cable											
1 ... A	1	Signal:	0 V	+V	0 Vsens	+Vsens	A	$\bar{A}$	B	$\bar{B}$	0	$\bar{0}$	$\perp$
		Kabelfarbe:	WH	BN	GY PK	RD BU	GN	YE	GY	PK	BU	RD	shield
Output circuit	Type of connection	M23 connector, 12-pin											
1 ... A	2	Signal:	0 V	+V	0 Vsens	+Vsens	A	$\bar{A}$	B	$\bar{B}$	0	$\bar{0}$	$\perp$
		Pin:	10	12	11	2	5	6	8	1	3	4	PH 6)
Output circuit	Type of connection	M12 connector eurofast, 8-pin											
1 ... A	E	Signal:	0 V	+V	0 Vsens	+Vsens	A	$\bar{A}$	B	$\bar{B}$	0	$\bar{0}$	$\perp$
		Pin:	1	2			3	4	5	6	7	8	PH 6)

Isolate unused outputs before initial start-up.

### Top view of mating side, male contact base



M12 connector, 8-pin



M23 connector, 12-pin

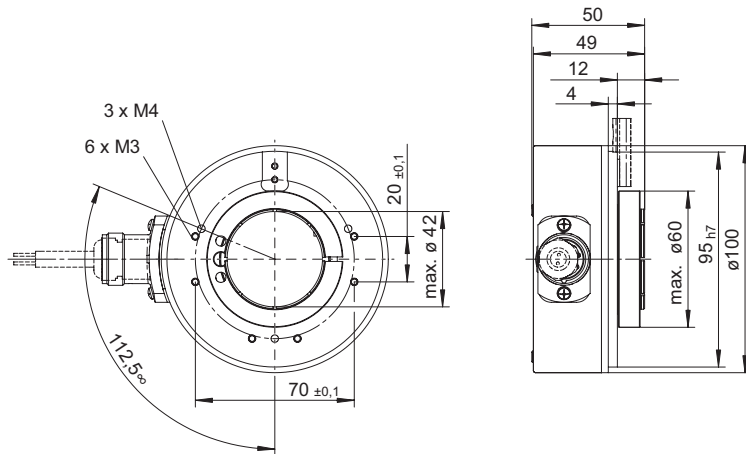
- 1) During the run-in-phase of approx. 2 hours, reduce the limits for working temperature<sub>max</sub> or speed max by 1/3.
- 2) Depending on shaft diameter
- 3) With connector: -40°C, securely installed: -30°C, flexibly installed: -20°C
- 4) If supply voltage correctly applied.
- 5) Max. recommended cable length 30 m
- 6) PH = Shield is attached to connector housing

# Incremental Encoders

<b>Large hollow shaft, optical</b>	<b>A02H (Hollow shaft) / Heavy Duty</b>	<b>Push-Pull / RS422 / SinCos</b>
------------------------------------	---	-----------------------------------

## Dimensions hollow shaft version

Without mounting aid  
Flange type 1

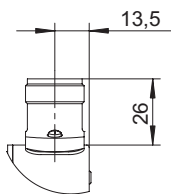


Incremental Encoders

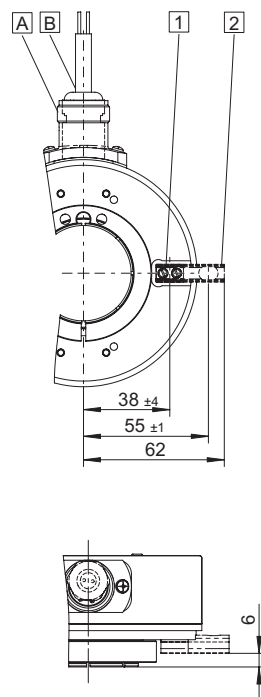
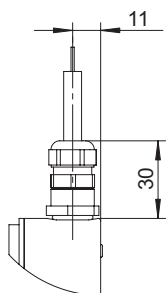
## With spring element

- 1 Spring element short (flange type 2)
- 2 Spring element long (flange type 3)

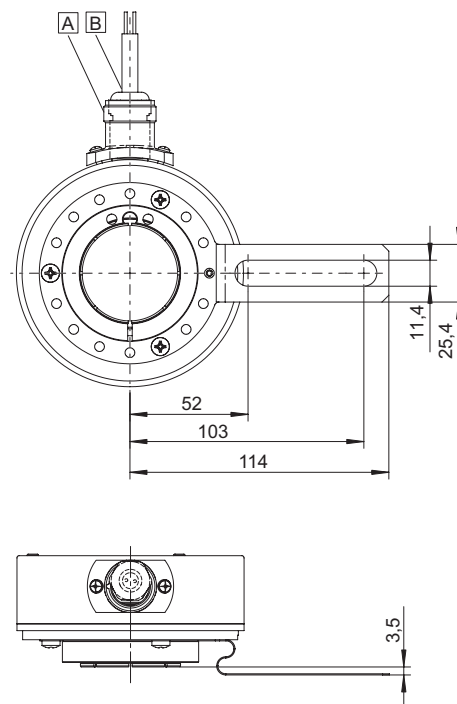
A Plug version



B Cable version

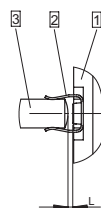


## With fastening arm long Flange type 5



### Mounting using the spring element - short

When mounting the encoder, ensure that dim. L is larger than the maximum axial play of the drive in the direction of the arrow.



- 1 Flange
- 2 Spring element - short
- 3 Cylindrical pin

### Mounting using the spring element - long

Cylindrical pin fed through the bore of the spring



- 1 Flange
- 2 Spring element - long
- 3 Cylindrical pin