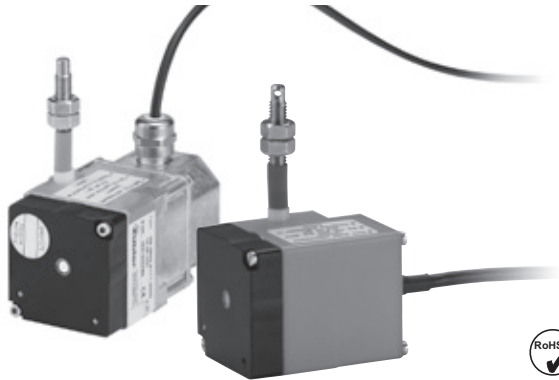


Linear Measuring Technology

Draw wire mechanics with encoder or analogue sensor

Miniature, analogue

Measuring length max. 2 m



The miniature draw wire encoder with analogue output is characterised by its compact design. It is available with a potentiometer, voltage or current output.



Compact and simple

- Measuring length up to 2000 mm
- For applications with a low traversing speed
- Easy to install

Order code miniature draw wire encoder

D5.350X . AXX . 0000
Type **a** **b** **c**

a Measuring range

- 1 = 1000 mm
- 2 = 2000 mm

b Output circuit

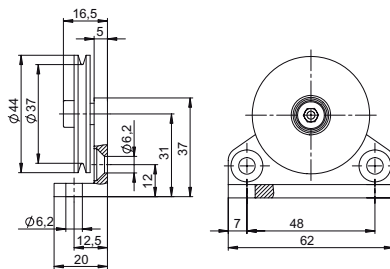
- 11 = analogue output 4 ... 20 mA
- 22 = analogue output 0 ... 10 V DC
supply voltage 15 ... 28 V DC
- 33 = Potentiometer output 10 kΩ

c Type of connection

- 1 = cable 2 m (for measuring range 1000 mm: axial)
(for measuring range 2000 mm: radial)
- 2 = M12 connector, 4-pin, radial
(only available for measuring range 2000 mm)

Accessories for draw-wire encoder

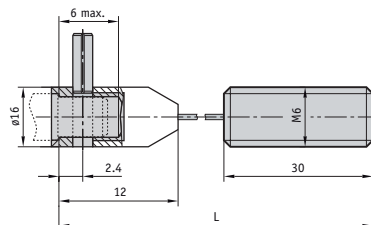
Guide pulley



Ordering information for the set
 - Guide pulley (anodised aluminium)
 - 2 x countersunk screws
 for lateral fixing,
 - 2 x socket screws
 for fixing on a flat surface

8.0000.7000.0045

Extension cable



- Steel wire 2 m
- Steel wire 5 m
- Steel wire 10 m
- Paraleine 2 m

8.0000.7000.0033

8.0000.7000.0034

8.0000.7000.0035

8.0000.7000.0032

Linear Measuring Technology

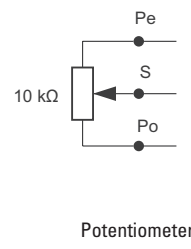
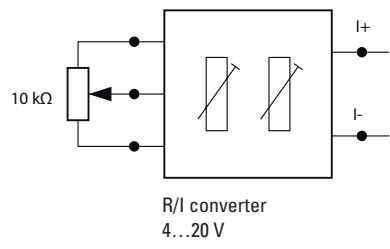
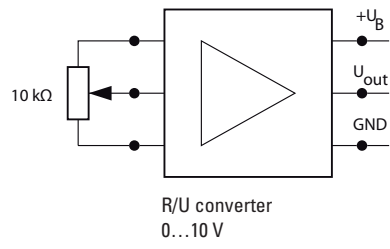
Draw wire mechanics with encoder or analogue sensor **Miniature, analogue** **Measuring length max. 2 m**

Mechanical characteristics (draw wire mechanics)	
Measuring range	1000 mm / 2000 mm
Extension force F_{min}	2 N
Repeat accuracy	± 0.15 mm
Linearity	± 0.35 %
Working temperature	0°C ... 50°C
Weight	approx. 200 g / 320 g
Material	housing: plastic / zinc die cast wire: stainless-steel \varnothing 0.45 mm plastic-coated

Electrical characteristics			
Analogue output	0 ... 10 V	4 ... 20 mA	Potentiometer 10 k Ω
Supply voltage	15 ... 28 V DC	–	–
Temperature range	0 ... 50°C	0 ... 50°C	0 ... 50°C
Load	max 500 Ω	max 500 Ω	–
CE compliant acc. to	EN 61000-6-2, EN 61000-6-4, EN 61000-6-3		

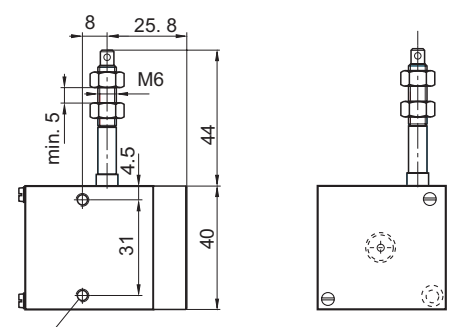
Terminal assignment

Colour	BN	WH	GN	GN
Pin M12	1	2	3	4
0 ... 10 V	+ 24 V DC	GND	U_{out}	n.c.
0 ... 20 mA	I+	I-	n.c.	n.c.
Potentiometer	Po	Pe	S	n.c.



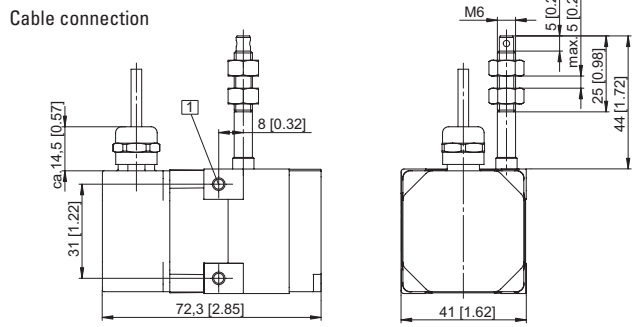
Dimensions

for measuring range 1000 mm



M4, max. screw-in depth 8 mm

for measuring range 2000 mm



1 2 x M4, max. screw-in depth 8 mm

