

Connection Technology

M12 Connection Technology CANopen / DeviceNet

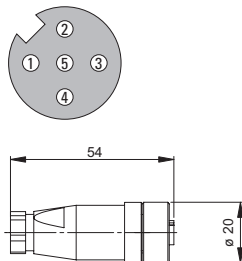
Connectors, self-assembly, 5-pin

Female connector with coupling nut Bus in, straight, IP67

Housing: plastic



A coded, screw connections,
for cable \varnothing 6 ... 8 mm



suitable for our series:

F3658 / F3678	M3658 / M3678
5858 / 5878	5860
5868 / 5888	9080
IS40 / IS60	

Order No.

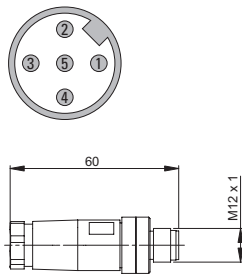
05.B-8151-0/9

Male connector with external thread Bus out, straight, IP67

Housing: metal / plastic



A coded, screw connections,
for cable \varnothing 6 ... 8 mm



suitable for our series:

F3658 / F3678	M3658 / M3678
5858 / 5878	5860
5868 / 5888	9080
IS60	

Order No.

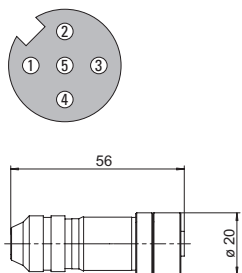
05.BS-8151-0/9

Female connector with coupling nut Bus in, straight, IP67

Housing: metal



A coded, screw connections,
for cable \varnothing 6 ... 8 mm



suitable for our series:

F3658 / F3678	M3658 / M3678
5858 / 5878	5860
5868 / 5888	9080
IS60	

Order No.

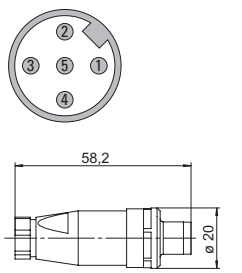
8.0000.5116.0000

Male connector with external thread Bus out, straight, IP67

Housing: metal



A coded, screw connections,
for cable \varnothing 6 ... 8 mm



suitable for our series:

F3658 / F3678	M3658 / M3678
5858 / 5878	5860
5868 / 5888	9080
IS60	

Order No.

8.0000.5111.0000

Connection Technology

M12 Connection Technology

CANopen / DeviceNet

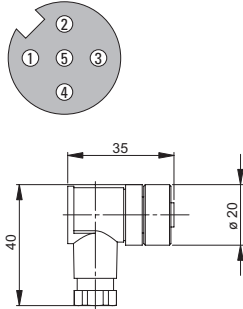
Connectors, self-assembly, 5-pin

Female connector with coupling nut Bus in, right-angle, IP67

Housing: plastic



A coded, screw connections,
for cable \varnothing 4 ... 8 mm



suitable for our series:

F3658 / F3678	M3658 / M3678
5858 / 5878	5860
5868 / 5888	9080
IS40 / IS60	

Order No.

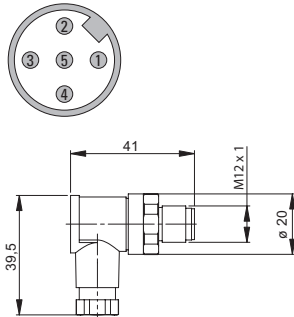
05.B-8251-0/9

Male connector with external thread Bus out, right-angle, IP67

Housing: metal / plastic



A coded, screw connections,
for cable \varnothing 4 ... 8 mm



suitable for our series:

F3658 / F3678	M3658 / M3678
5858 / 5878	5860
5868 / 5888	9080
IS60	

Order No.

05.BS-8251-0/9

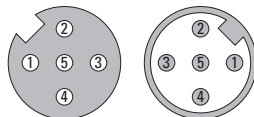
Accessories

T-junction, IP67 2 x female connector with coupling nut 1 x male connector with external thread

Housing: metal / plastic



A coded



suitable for:

M12 connectors

Order No.

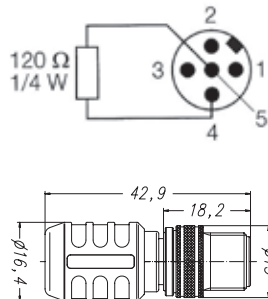
05.FKM5-FKM5-FSM5

Terminating resistor, IP67

Housing: metal / plastic



A coded



suitable for our series:

5858 / 5878	5860
5868 / 5888	9080

Order No.

05.RSE 57 TR2

Connection Technology

M12 Connection Technology DeviceNet

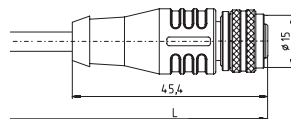
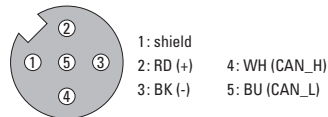
Bus cable with connector, pre-assembled, 5-pin (Working temperature range -30°C ... +80°C)

**Female connector with coupling nut
Bus in, straight, IP67, single-ended**

Cable: PUR, 4 x 0,34 mm²
Housing: metal / plastic



A coded



suitable for our series: *Cable length*

5860	6 m
9080	10 m
IS60	15 m

Order No.

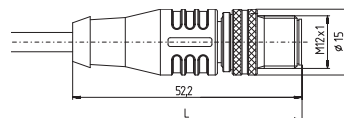
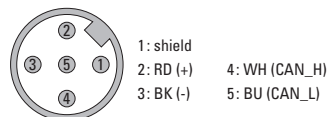
05.00.6021.2211.006M
05.00.6021.2211.010M
05.00.6021.2211.015M

**Male connector with external thread
Bus out, straight, IP67, single-ended**

Cable: PUR, 4 x 0,34 mm²
Housing: metal / plastic



A coded



suitable for our series: *Cable length*

5860	6 m
9080	10 m
IS60	15 m

Order No.

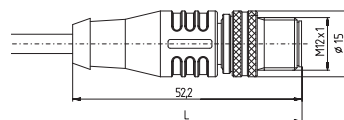
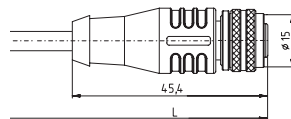
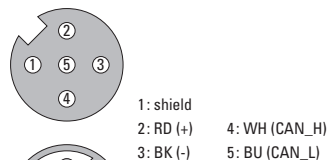
05.00.6021.2411.006M
05.00.6021.2411.010M
05.00.6021.2411.015M

**Female connector with coupling nut +
male connector with external thread
Bus in / out, straight, IP67**

Cable: PUR, 4 x 0,34 mm²
Housing: metal / plastic



A coded



suitable for our series: *Cable length*

5860	2 m
9080	4 m
	10 m

Order No.

05.00.6021.2422.002M
05.00.6021.2422.004M
05.00.6021.2422.010M

Connection Technology

M12 Connection Technology

DeviceNet

Bus cable with connector, pre-assembled, 5-pin

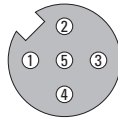
(Working temperature range -30°C ... +80°C)

Female connector with coupling nut + male connector with external thread
Bus in / out, right-angle, IP67

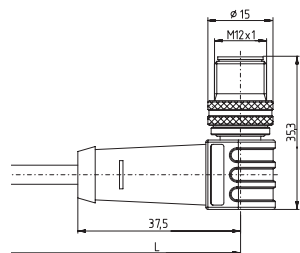
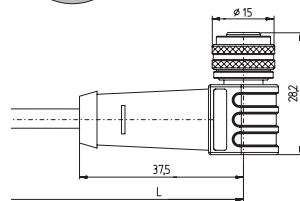
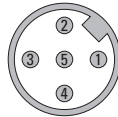
Cable: PUR, 4 x 0,34 mm²
 Housing: metal / plastic



A coded



- 1: shield
- 2: RD (+)
- 3: BK (-)
- 4: WH (CAN_H)
- 5: BU (CAN_L)



suitable for our series:

5860
 9080

Cable length

2 m
 6 m


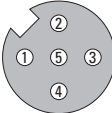
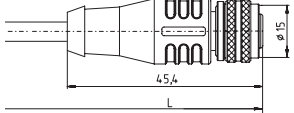
Order No.



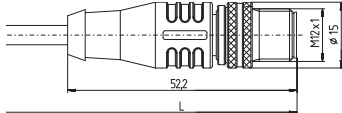
05.00.6021.2523.002M
05.00.6021.2523.006M

Connection Technology

M12 Connection Technology CANopen

Bus cable with connector, pre-assembled, 5-pin (Working temperature range -30°C ... +80°C)

<p>Female connector with coupling nut Bus in, straight, IP67, single-ended</p> <p>Cable: PVC, 3 x 2 x 0,25 mm² Housing: metal / plastic</p> 	<p>A coded</p>  <p>1: GY 4: GN 2: BN 5: YE 3: WH Shield on housing</p> 	<p>suitable for our series: <i>Cable length</i></p> <p>M3658 / M3678 6 m 5858 / 5878 10 m 5868 / 5888 15 m</p>	<p><i>Order No.</i></p> <p>05.00.6091.A211.006M 05.00.6091.A211.010M 05.00.6091.A211.015M</p>
--	---	---	--

<p>Male connector with external thread Bus out, straight, IP67, single-ended</p> <p>Cable: PVC, 3 x 2 x 0,25 mm² Housing: metal / plastic</p> 	<p>A coded</p>  <p>1: GY 4: GN 2: BN 5: YE 3: WH Shield on housing</p> 	<p>suitable for our series: <i>Cable length</i></p> <p>M3658 / M3678 6 m 5858 / 5878 10 m 5868 / 5888 15 m</p>	<p><i>Order No.</i></p> <p>05.00.6091.A411.006M 05.00.6091.A411.010M 05.00.6091.A411.015M</p>
---	---	---	--

Connection Technology