

Economy Type 5810 (shaft)



- ø 58 mm housing
- Short-circuit proof outputs
- Customized versions also available
- High mechanical protection
- Push-pull output
(10 ... 30 V supply voltage)



Mechanical characteristics:

Speed:	max. 6000 min ⁻¹
Rotor moment of inertia:	approx. 0.6 x 10 ⁻⁶ kgm ²
Starting torque:	< 0.01 Nm
Radial load capacity of shaft:	40 N
Axial load capacity of shaft:	20 N
Weight:	approx. 0.4 kg
Protection acc. to EN 60 529:	IP 64 Housing (IP 67 with cable, IP 50 with connector)
Working temperature:	0° C ... +65 °C
Shaft:	stainless steel
Shock resistance acc. to DIN-IEC 68-2-27	1000 m/s ² , 6 m
Vibration resistance acc. to DIN-IEC 68-2-6:	100 m/s ² , 10...2000 Hz

Electrical characteristics:

Output circuit:	Push-pull
Supply voltage:	10 ... 30 V DC
Power consumption (no load)	
without inverted signal:	max. 80 mA
Permissible load/channel:	max. ±30 mA
Pulse frequency:	max. 20 kHz
Signal level high:	min. U _B – 2.5 V
Signal level low:	max. 1.5V
Rise time t _r	max. 1 µs
Fall time t _f	max. 1 µs
Short circuit proof outputs: ¹⁾	yes
Reverse connection protection at UB:	yes
Conforms to CE requirements acc. to EN 61000-6-2, EN 61000-6-4 and EN 61000-6-3	
RoHS compliant acc. to EU guideline 2002/95/EG	

¹⁾ If supply voltage correctly applied

Terminal assignment

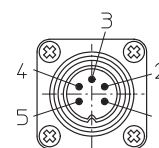
Signal:	0 V	+U _B	A	B	0 or 0 ⁻	Shield
5 pin plug, Pin:	1	2	3	4	5	PH ¹⁾
Colour	WH	BN	GN	YE	GY	

¹⁾ PH = Shield is attached to connector housing

Isolate unused outputs before initial startup.

Top view of mating side, male contact base:

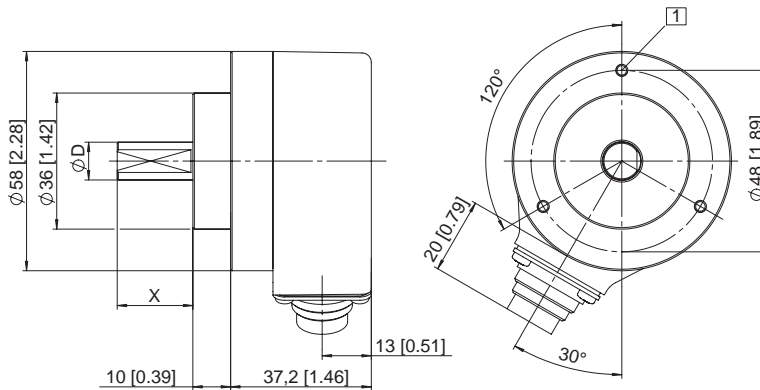
5-pin plug



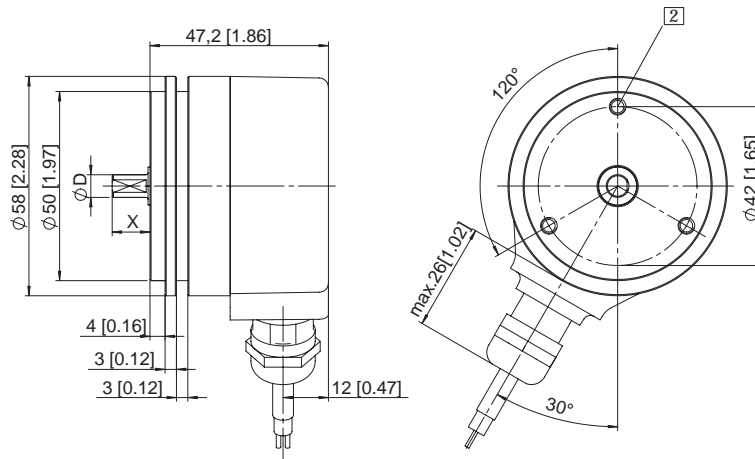
Economy Type 5810 (shaft)

Dimensions

Clamping flange $\varnothing 58$



Synchronous flange $\varnothing 58$



1 3xM3, 6 [0,24] deep

2 3xM4, 6 [0,24] deep

Mounting advice:

The flanges and shafts of the encoder and drive should not both be rigidly coupled together at the same time! We recommend the use of suitable couplings (see Accessories section).

Order code:

8.5810.XXXX.XXXX

Type	
Flange	1 = Clamping flange $\varnothing 58$ 2 = Synchronous flange $\varnothing 58$
Shaft	1 = $\varnothing 6$ mm x 10 mm 2 = $\varnothing 10$ mm x 20 mm
Output circuit	3 = Push-pull, Channel A and B

Pulse rate	10, 50, 100, 200, 360, 500, 512 (e.g., 250 pulses => 0250) Other pulse rates on request
------------	---

Type of connection	2 = Cable radial (1 m PVC-Cable) 5 = radial 5 pin plug without mating connector
--------------------	--

Accessories:

Corresponding mating connector of connection type 5: Order-No. 8.0000.5022.0000

Cables and connectors, also pre-assembled, can be found in the chapter Connection Technology

Mounting attachments and couplings can be found in the chapter Accessories

Preferred types are indicated in bold